







**Content**

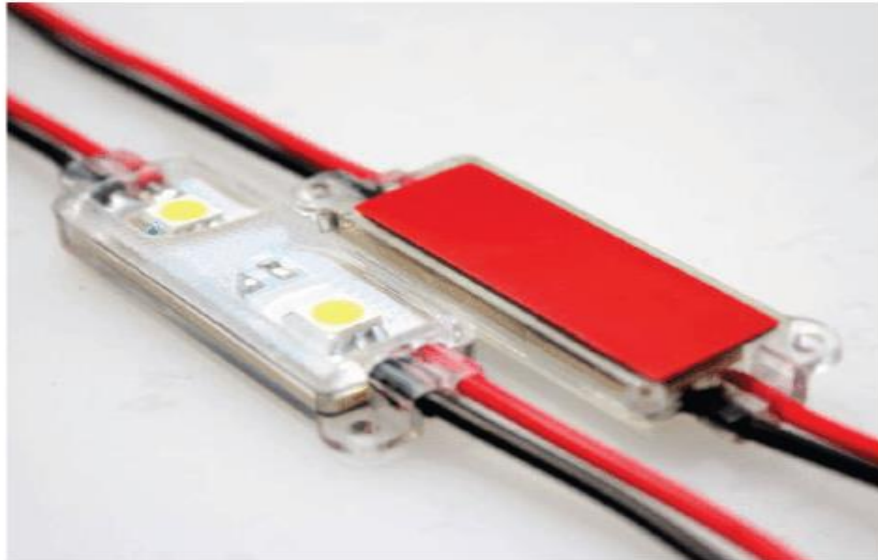
MDZ4015- 2X5050..... 3  
MDZ7815- 3X5050..... 5  
MDZ4444- 4X5050..... 7  
MDZ3316- 2X3528..... 9  
MDZ4316-3X3528..... 11  
MDZ7816- 3X3528..... 13

## High Bright SMD LED

		LED TYPE	Volts [V]	Current per module [mA]	Watts per module	Luminous flux [lm]	Lenght of chain [mm]	modules per chain	Viewing Angle Degree	Size [mm]	IP
					For white						
<b>MDZ4015-2X5050</b>		5050 SMD	DC 12V	60	0,48	38	2575	30	120	40* 15* 7,3	65
<b>MDZ7815-3X5050</b>			DC 12V	60	0,72	58	3355	30	120	78* 16* 9,5	65
<b>MDZ4444-4X5050</b>			DC 12V	60	0,9	72	2514	30	120	44* 44* 12	65
<b>MDZ3316-2X3528</b>		3528 SMD	DC12V	30	0,36	18	2455	30	120	33* 16* 9,5	68
<b>MDZ4316-3X3528</b>			DC 12V	30	0,36	27	2655	30	120	43* 16* 9,5	68
<b>MDZ7816 3X3528</b>			DC 12V	30	0,36	27	3355	30	120	78* 16* 9,5	68

## MDZ4015- 2X5050

**Part Number: MDZ4015-2X5050**

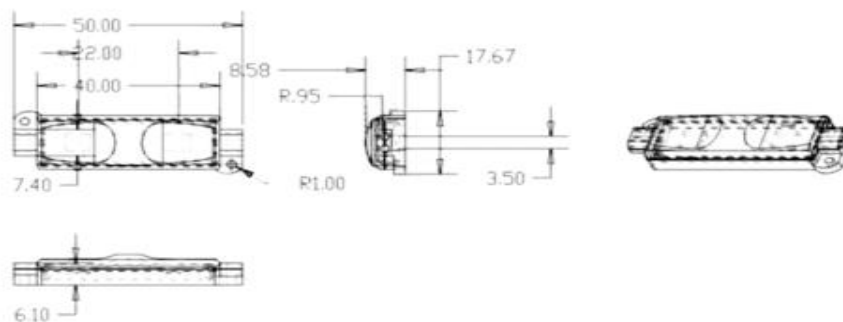


### Features

- ◊ **Highest Brightness** 73.5Lumens/0.9watt/per led module.
- ◊ **Samsung LED Chip**
- ◊ **Constant current IC driver inside**
- ◊ **Excellent Design** Smartl appearance. All Electronic components fully covered by high transparency PC are protected against outdoor environments
- ◊ **Bright**, vivid and uniform color.
- ◊ **Extended Life:** Up to 50,000 hours span life
- ◊ **IP 68 Waterproof**

**Easy Installation** Attached with screw or premounted double-sided adhesive tape.  
Flexible chain Installation, can be split between any module.

### Drawings



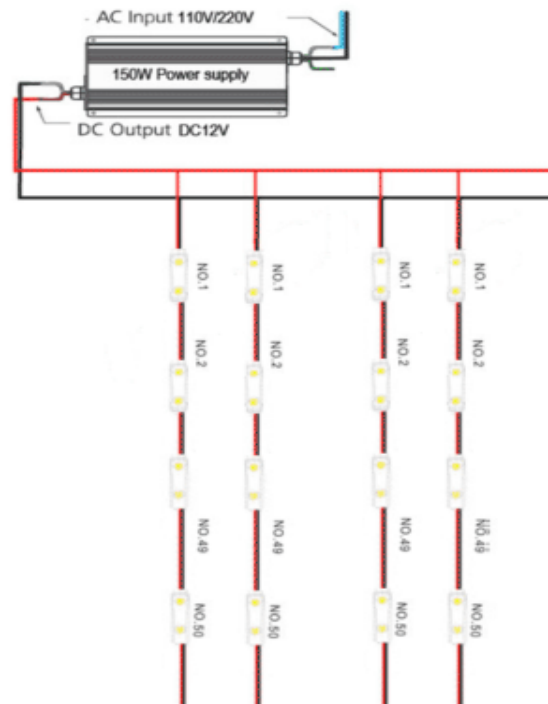
## Specification

Dimension	L78mmx W16mmx H9.5mm				
LED No	2 pcs 5050 SMD LED				
Voltage	Input 12VDC				
View angle	120 degree				
Current	25mA				
Watts	0.3watts				
Lumen	27				
Life	50,000 hrs Lumen Maintenance:>95%@1,000hrs				
Color	White 7500K/9000K	Blue	Green	Yellow	Red
Operation Temperature	-40°C - 60°C (-40°F -140°F)				
Warranty	30 months				
Modules per chain	3355 mm / chain ; 30 pcs / chain				
Construction	Body : 95% transparency PC, Milky resin.. PCB : fiber glass epoxy resin. Lead wire : 18 AWG				
Weight	9g/pc..450g/chain				
IP	IP 65				
Part No	MDZ4015-2W5050	MDZ4015-2B5050	MDZ4015-2G5050	MDZ4015-2Y5050	MDZ4015-2R5050

## Connection Guide

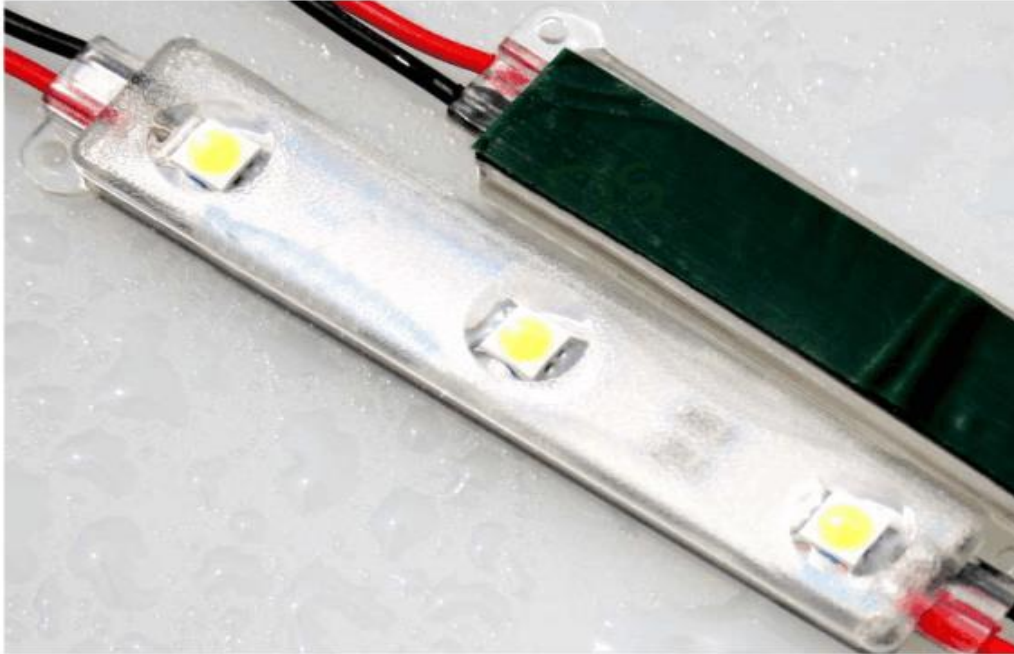
Note:1. Max.50pcs in each parallel.

2. Main cable from power supply should be bigger which allow more current to pass through.



## MDZ7815- 3X5050

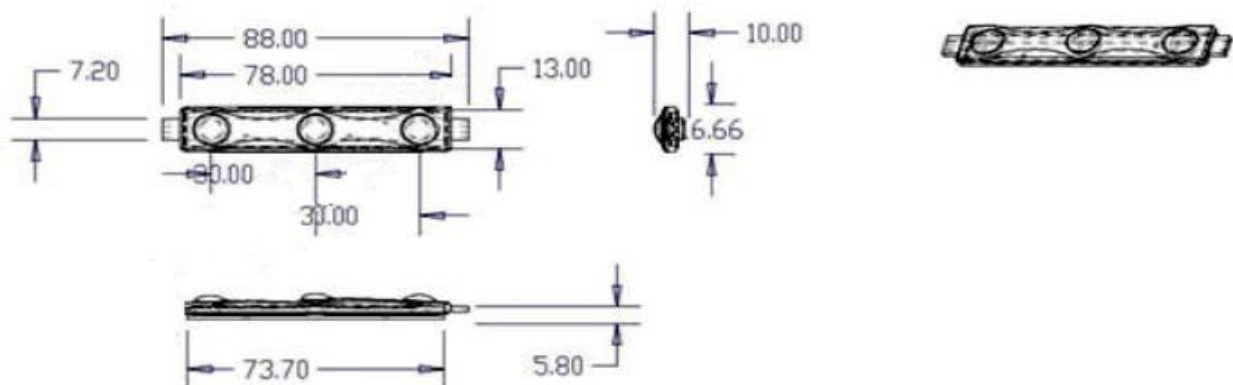
**Part Number: MDZ7815-3X5050**



### Features

- **Highest Brightness** 55 Lumens / 0.7watt / per led module.
- **Samsung LED Chip**
- **Constant current IC driver inside**
- **Excellent Design** Smart appearance. All Electronic components fully covered by high transparency PC are protected against outdoor environments
- **Bright, vivid and uniform color.**
- **Extended Life:** Up to 50,000 hours span life
- **IP 68 Waterproof**

**Easy Installation** Attached with screw or premounted double-sided adhesive tape.  
Flexible chain Installation, can be split between any module.



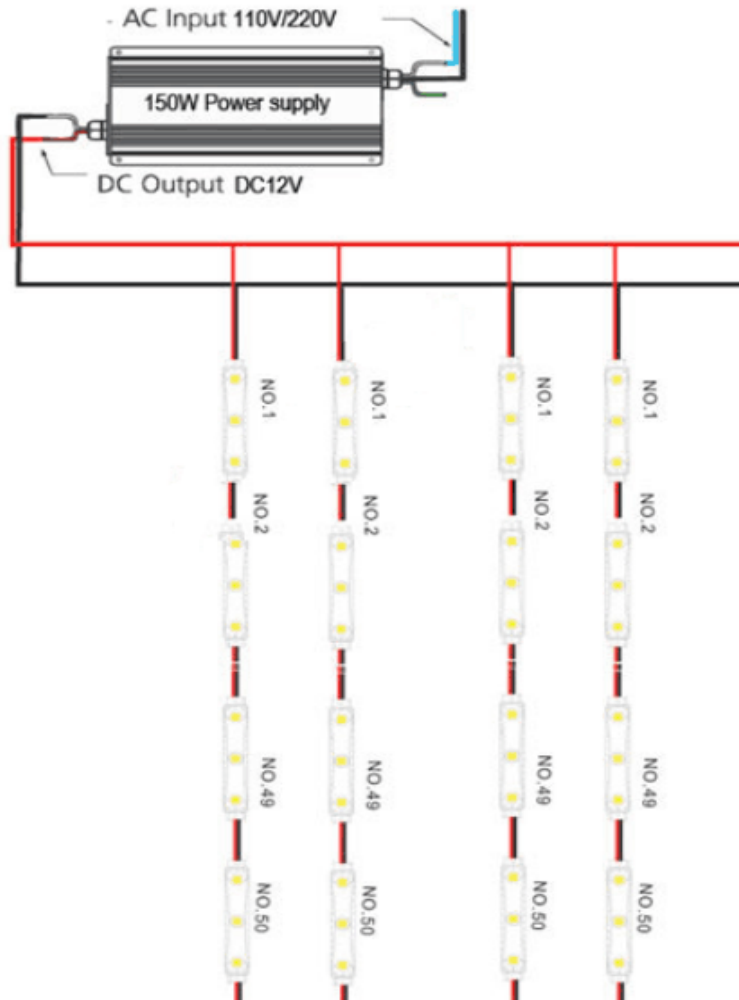
## Specification

Dimension	L78mmxW15mmxH9.4mm				
LED No	3 pcs 5050 SMD LED				
Voltage	Input 12VDC				
View angle	120 degree				
Current	58mA				
Watts	0.7watts				
Lumen	55				
Life	Up to 50.000 hrs Lumen Maintenance:>95%@1,000hrs				
Color	White 7500K/9000K	Blue	Green	Yellow	Red
Operation Temperature	-40°C - 60°C (-40°F ~140°F)				
Warranty	30 months				
Modules per chain	3355 mm / chain ; 30 pcs / chain				
Construction	Body : 95% transparency PC, Milky resin.. PCB : fiber glass epoxy resin. Lead wire : 18 AWG				
Weight	13,5g/pc..675g/chain				
IP	IP 65				
Part No	MDZ7815-3W5050	MDZ7815-3B5050	MDZ7815-3G5050	MDZ7815-3Y5050	MDZ7815-3R5050

## Connection Guide

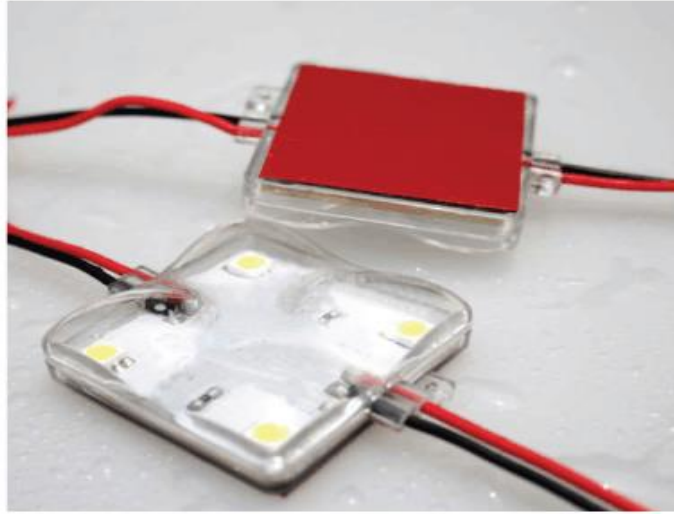
Note:1. Max.50pcs in each parallel.

2. Main cable from power supply should be bigger which allow more current to pass through.



# MDZ4444- 4X5050

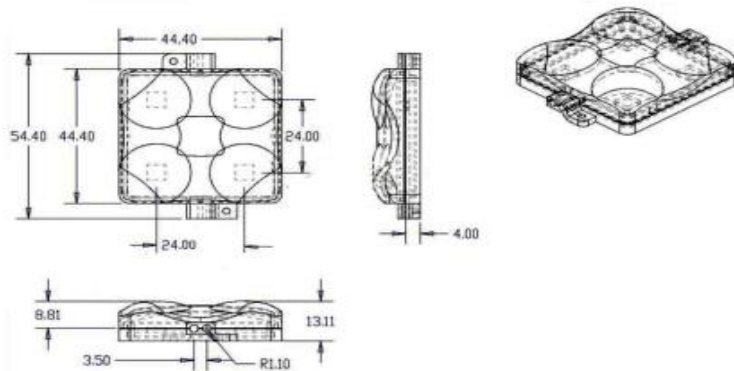
**Part Number: MDZ4444-4X5050**



## Features

- **Highest Brightness** 73.5Lumens/0.9watt/per led module.
  - **Samsung LED Chip**
  - **Constant current IC driver inside**
  - **Excellent Design** Smart appearance. All Electronic components fully covered by high transparency PC are protected against outdoor environments
  - **Bright**, vivid and uniform color.
  - **Extended Life**: Up to 50,000 hours span life
  - **IP 65 Waterproof**
- Easy Installation** Attached with screw or premounted double-sided adhesive tape.  
Flexible chain Installation, can be split between any module.

## Drawings



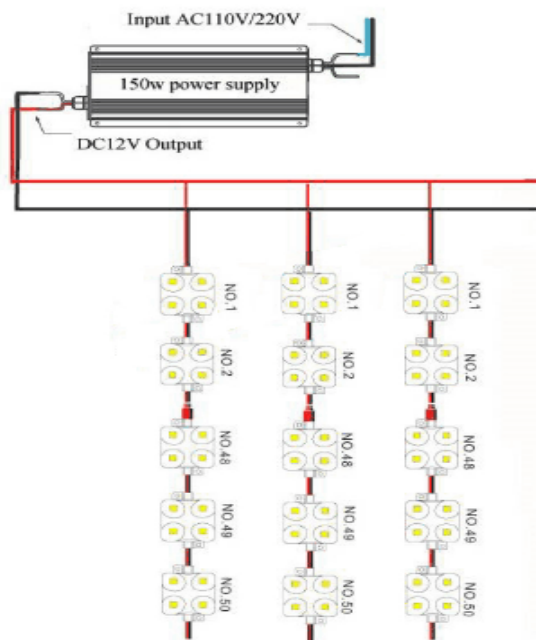
## Specification

Dimension	L44mmxW44mmxH12mm				
LED No	4 pcs 5050 SMD LED				
Voltage	Input 12VDC				
View angle	120 degree				
Current	75mA				
Watts	0.9watts				
Lumen	73,5				
Life	50.000 hrs Lumen Maintenance:>95%@1,000hrs				
Color	White 7500K/9000K	Blue	Green	Yellow	Red
Operation Temperature	-40°C - 60°C (-40°F ~140°F)				
Warranty	30 months				
Modules per chain	2514 mm / chain ; 30 pcs / chain				
Construction	Body : 95% transparency PC, Milky resin.. PCB : fiber glass epoxy resin. Lead wire : 18 AWG				
Weight	20g/pc..1000g/chain				
IP	IP 65				
Part No	MDZ4444-4W5050	MDZ4444-4B5050	MDZ4444-4G5050	MDZ4444-4Y5050	MDZ4444-4R5050

## Connection Guide

Note:1. Max.50pcs in each parallel.

2. Main cable from power supply should be bigger which allow more current to pass through.





## MDZ3316-2X3528

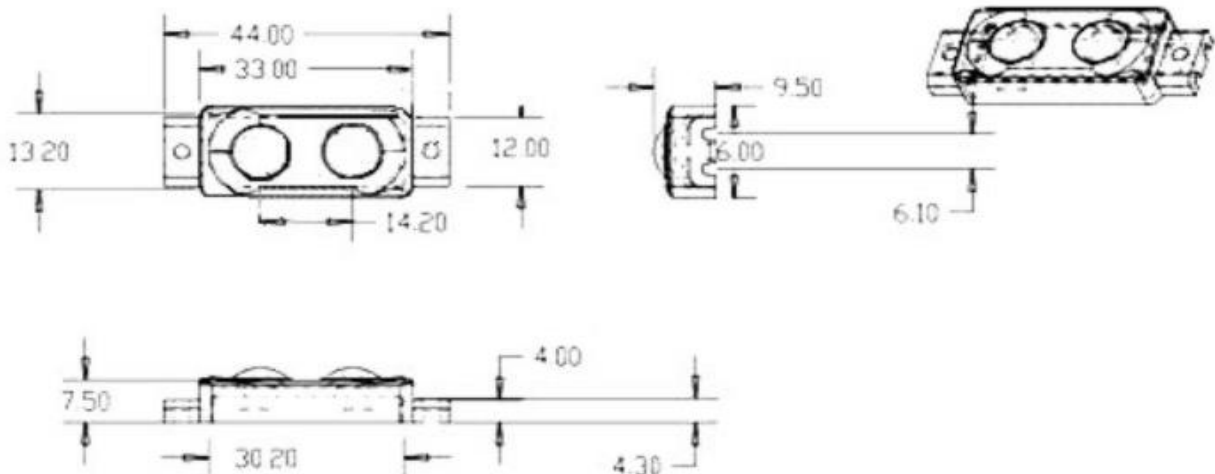
Part Number: MDZ3316-2W3528



### Features

- **Highest Brightness** 18.2 Lumens / 0.3 watt / per led module.
- **Samsung LED Chip**
- **Constant current IC driver inside**
- **Excellent Design** Smart appearance. All Electronic components fully covered by high transparency PC are protected against outdoor environments
- **Bright**, vivid and uniform color.
- **Extended Life**: Up to 50,000 hours span life
- **IP 68 Waterproof**
- **Easy Installation** Attached with screw or premounted double-sided adhesive tape. Flexible chain Installation, can be split between any module.

### Drawings



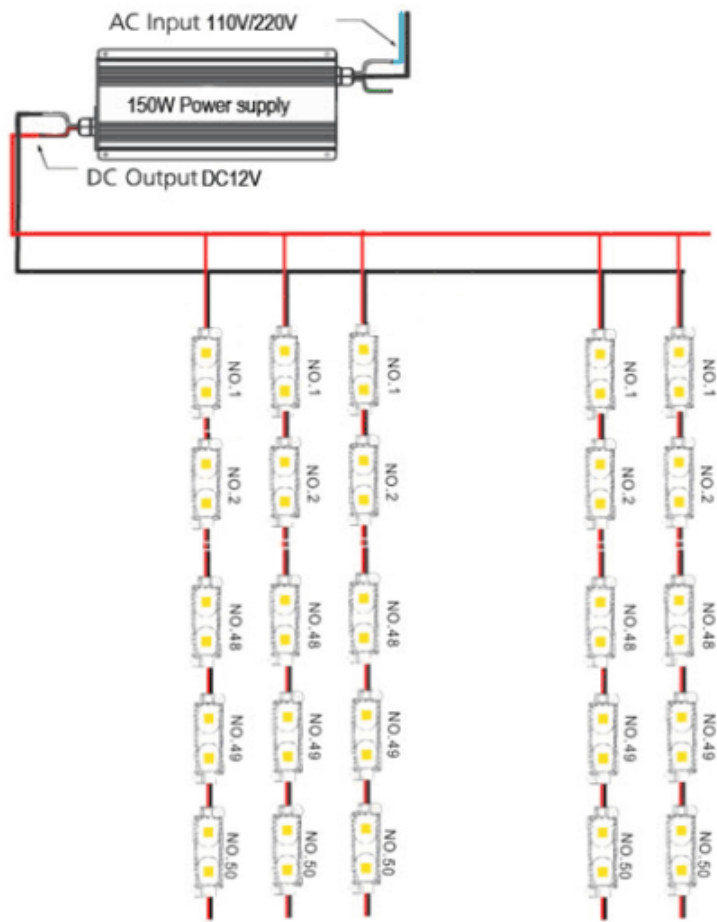
## Specification

Dimension	L33mmx W16mmx H9.5mm				
LED No	2 pcs 3528 SMD LED				
Voltage	Input 12VDC				
View angle	120 degree				
Current	25mA				
Watts	0.3watts				
Lumen	<b>18.5</b>				
Life	50.000 hrs Lumen Maintenance:>95%@1,000hrs				
Color	White 7500K/9000K	Blue	Green	Yellow	Red
Operation Temperature	-40°C - 60°C (-40°F ~140°F)				
Warranty	30 months				
Modules per chain	2455 mm / chain ; 30 pcs / chain				
Construction	Body : 95% transparency PC, Milky resin.. PCB : fiber glass epoxy resin. Lead wire : 18 AWG				
Weight	9g/pc..675g/chain				
IP	IP68				
Part No	MDZ3316-2W3528	MDZ3316-2B3528	MDZ3316-2G3528	MDZ3316-2Y3528	MDZ3316-2R3528

## Connection Guide

Note:1. Max.50pcs in each parallel.

2. Main cable from power supply should be bigger which allow more current to pass through.



## MDZ4316-3X3528

### Part Number: MDZ4316-3W3528

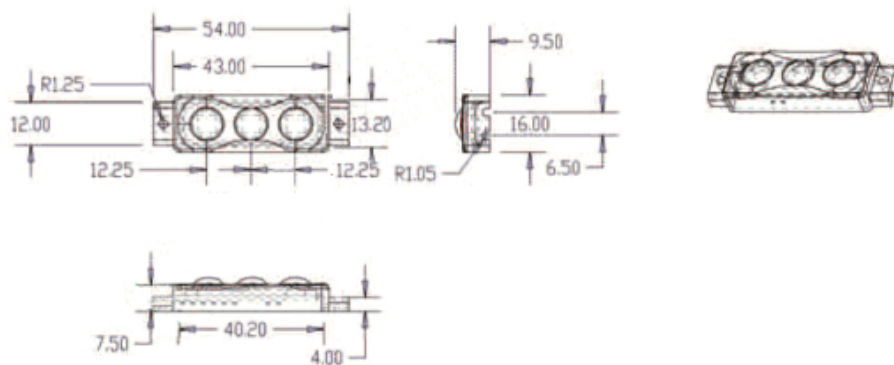


### Features

- ◊ **Highest Brightness** 25 Lumens /0.3wat t/ per led module.
- ◊ **Samsung LED Chip**
- ◊ **Constant current IC driver inside**
- ◊ **Excellent Design** Smartl appearance. All Electronic components fully covered by high transparency PC are protected against outdoor environments
- ◊ **Bright**, vivid and uniform color.
- ◊ **Extended Life**: Up to 50,000 hours span life
- ◊ **IP 65 Waterproof**

**Easy Installation** Attached with screw or premounted double-sided adhesive tape.  
Flexible chain Installation, can be split between any module.

### Drawings



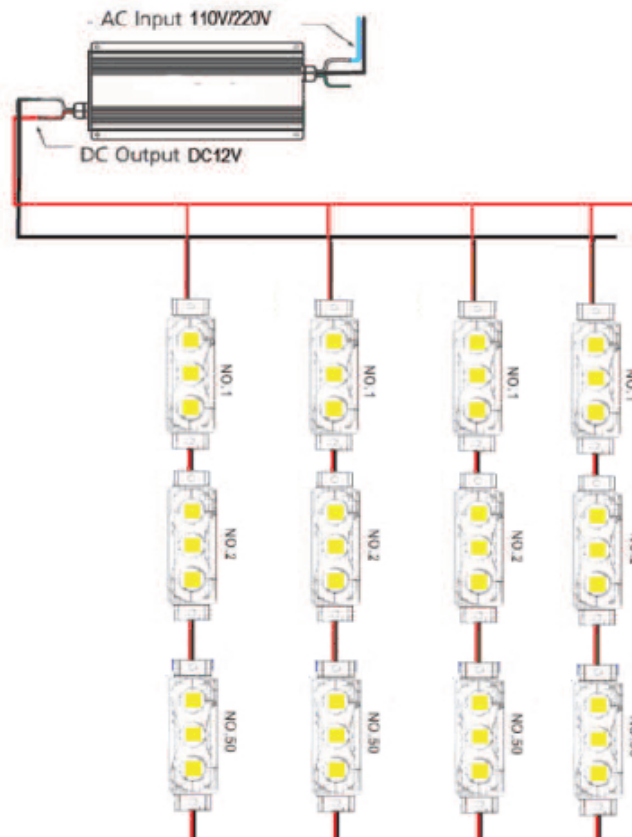
## Specification

Dimension	L43mmxW16mmxH9.5mm				
LED No	3 pcs 3528 SMD LED				
Voltage	Input 12VDC				
View angle	120 degree				
Current	28mA				
Watts	0.3watts				
Lumen	25				
Life	50.000 hrs Lumen Maintenance:>95%@1,000hrs				
Color	White 7500K/9000K	Blue	Green	Yellow	Red
Operation Temperature	-40°C- 60°C (-40°F ~140°F)				
Warranty	30 months				
Modules per chain	2655 mm / chain ; 30 pcs / chain				
Construction	Body : 95% transparency PC, Milky resin.. PCB : fiber glass epoxy resin. Lead wire : 18 AWG				
Weight	10.5g/pc..525g/chain				
IP	IP 68				
Part No	MDZ4316-3W3528	MDZ4316-2B5050	MDZ4316-2G5050	MDZ4316-2Y5050	MDZ4316-2R5050

## Connection Guide

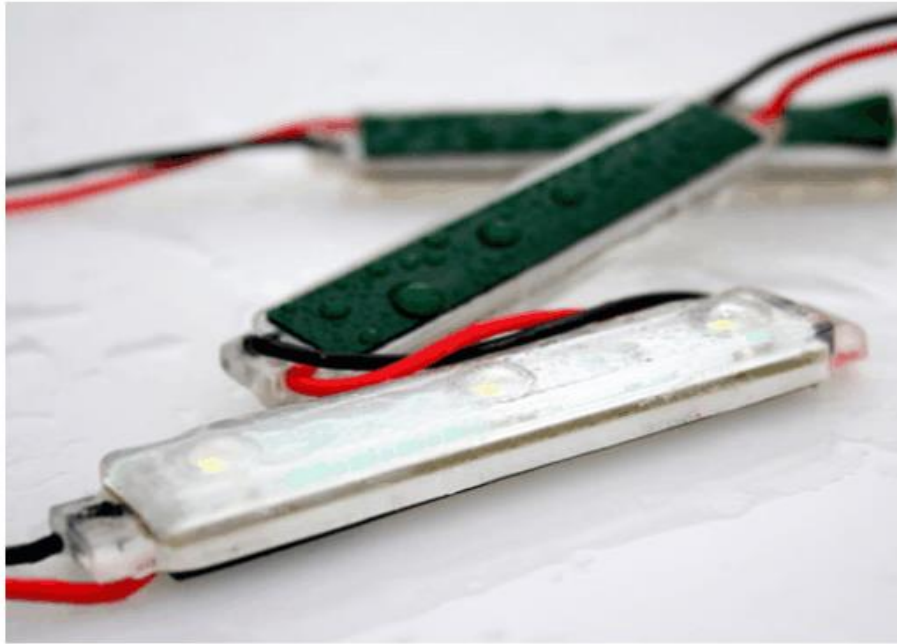
Note:1. Max.50pcs in each parallel.

2. Main cable from power supply should be bigger which allow more current to pass through.



## MDZ7816- 3X3528

**Part Number: MDZ7816-3X3528**

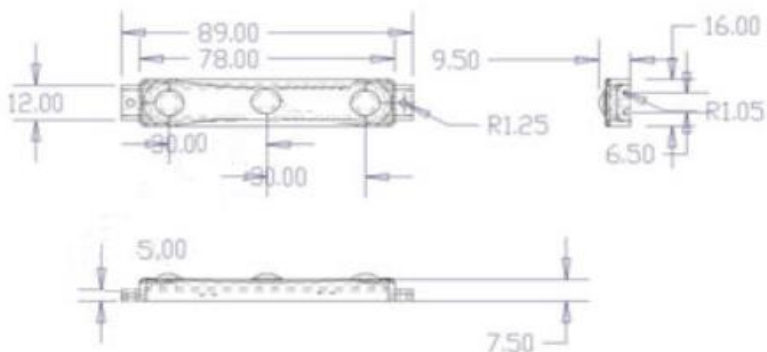


### Features

- **Highest Brightness** 27 Lumens / 0.3watt/per led module.
- **Samsung LED Chip**
- **Constant current IC driver inside**
- **Excellent Design** Smart appearance. All Electronic components fully covered by high transparency PC are protected against outdoor environments
- **Bright, vivid and uniform color.**
- **Extended Life:** Up to 50,000 hours span life
- **IP 68 Waterproof**

**Easy Installation** Attached with screw or premounted double-sided adhesive tape.  
Flexible chain Installation, can be split between any module.

### Drawings



## Specification

Dimension	L78mmx W16mmx H9.5mm				
LED No	3 pcs 3528 SMD LED				
Voltage	Input 12VDC				
View angle	120 degree				
Current	25mA				
Watts	0.3watts				
Lumen	27				
Life	50.000 hrs Lumen Maintenance:>95%@1,000hrs				
Color	White 7500K/9000K	Blue	Green	Yellow	Red
Operation Temperature	-40°C - 60°C (-40°F ~140°F)				
Warranty	30 months				
Modules per chain	3355 mm / chain ; 30 pcs / chain				
Construction	Body : 95% transparency PC, Milky resin.. PCB : fiber glass epoxy resin. Lead wire : 18 AWG				
Weight	9g/pc..675g/chain				
IP	IP68				
Part No	MDZ7816-3W3528	MDZ7816-2B3528	MDZ7816-2G3528	MDZ7816-2Y3528	MDZ7816-2R3528

## Connection Guide

Note:1. Max.50pcs in each parallel.

2. Main cable from power supply should be bigger which allow more current to pass through.

